

EXB2525ES

2500 psi @ 2.5 gpm

	Part Number	Description
Pump Information:	D23833	.DeVilbiss Pump Kit
*	17658	.Thermal Relief Valve Assy
	* F187	.Filter Screen
	* F035	.Quick Connect
Engine Information:	D23611	.Engine,B&S 6 Hp,Electric Start
	* P448	.Key
	16255	.Oil, 20 oz.
Frame Information:	D22181	.Frame
	D22268	.Foot
	D23622	.Handle, bagged
	D22101	.Tire, Pneu
	F464	.Pal Nut (2)
Battery Information:	D23605	.Battery, 12V
	D23607	.Charger, 12V
Hardware Information:		
Handle to Frame	● 16471	.Knob (2)
	● 19286	.Saddle Bolts (2)
Isolator:	D21436 (qty 2)	.Screw
Engine to Frame:	18297 (qty 4)	.Bolt, 5/16-18
	16087(qty 4)	.Nut, Flangehead 5/16-18
Pump to Engine:	17204 (qty 4)	.Screw, 5/16-24 x 3/4"
Accessory Information:	D22693	.Hose Assy
	✘ F035	.QC Socket
	✘ F039	.QC Plug
	✘ D22179	.Hi Pressure Hose, 5/16" x 25ft
	D23314	.Lance, Multi-Reg
	D22183	.Gun, 3/8" Female
	* H140	.Chemical Hose
	D22320	.Bagged Parts
	● NCT001	.Cleaning Tool
	● 16797	.Allen Wrench
Manual Information:	D22322	.Manual, General-English/Spanish
	D23750	.Electric Start Instructions
	✓ 17117	.Manual, Engine

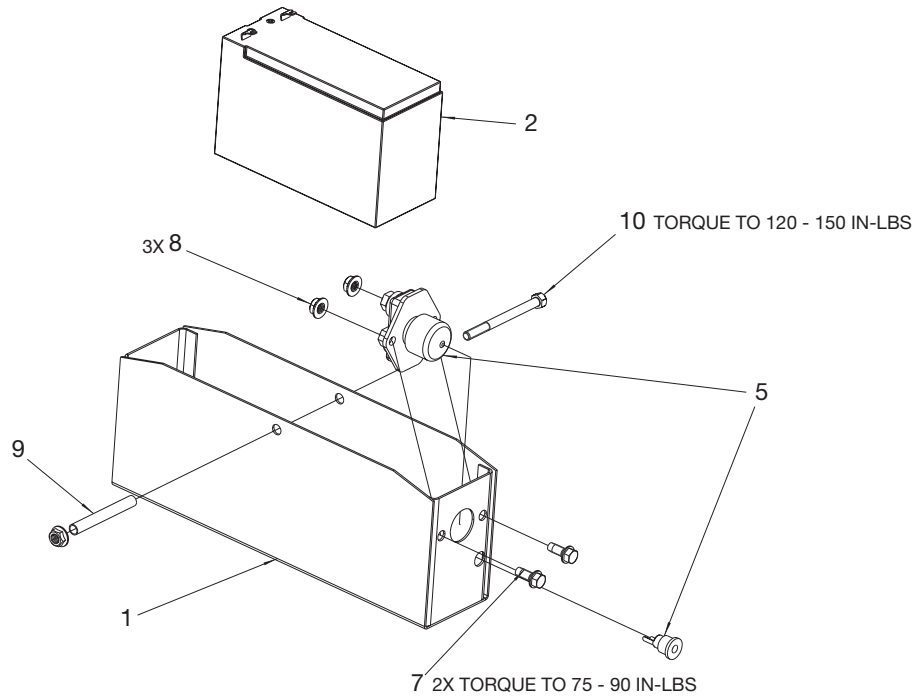


- ✘ Included in Hose Assembly
- Included in Bagged Parts
- ✓ Included in Bagged Handle
- * Included in Pump Assembly

EXB2525ES (continued)

2500 psi @ 2.5 gpm

Battery Box



<u>Key#</u>	<u>Part Number</u>	<u>Description</u>
1	D23598	Battery Box
2	D23605	Battery, 12V
5	D23609	Wiring Harness
7	D21436	Screw (2 used)
8	D21437	Nut (3 used)
9	D23827	Screw
10	D23805	Spacer